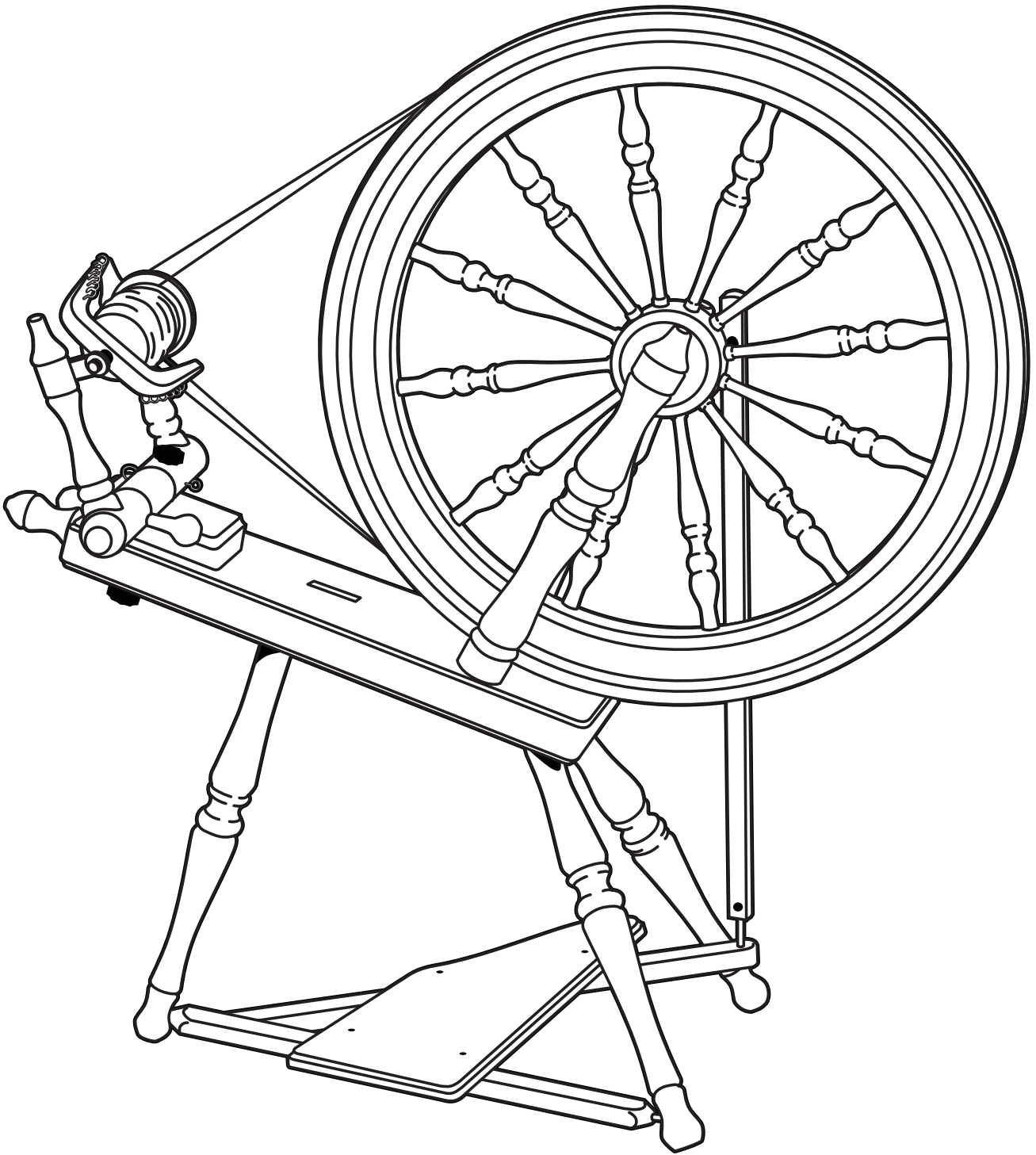


ELIZABETH 2 SPINNING WHEEL



ESW200617V9

TOOLS REQUIRED

⊕Screwdriver, Hammer and Candlewax (for wood screws and dowel ends).

BEFORE COMMENCING:

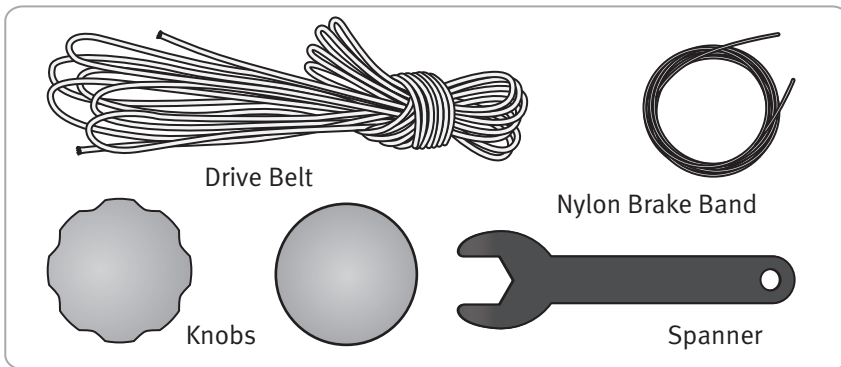
Read the instructions completely, identify the parts and note the assembly sequence.

FINISH THE WOOD:

We recommend that the wood surfaces be sealed before assembly. This protects the kiln dried wood from climatic changes and enhances the beauty of the wood. Use the sand paper provided to remove any sharp corners or smooth the wood where necessary.

FOR THE ULTIMATE FINISH:

The Silver Beech tree is a native of New Zealand and has a lovely variety of colour and grain. For a silky smooth matt finish use the Ashford Finishing Wax Polish to enhance the natural colours and character of this timber. Ashford spinning wheels are also available factory finished in clear lacquer.



45mm (1³/₄") Tension Pin



62mm (2¹/₂") Hub Pin



25mm (1") Pan Head Screws



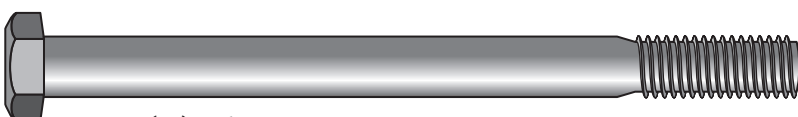
12mm (1/2") Pan Head Screws



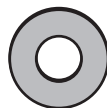
32mm (1¹/₄") Countersunk Screws



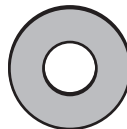
38mm (1¹/₂") Countersunk Screw



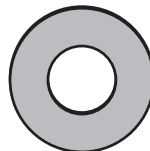
100mm (4") Bolts



12mm (1/2") Washers



16mm (5/8") Washer



19mm (3/4") Washers



x 1 Inner Shell



Flyer Hooks



Screw Eye



Tension Springs



Small Barrel Nut



Large Barrel Nut



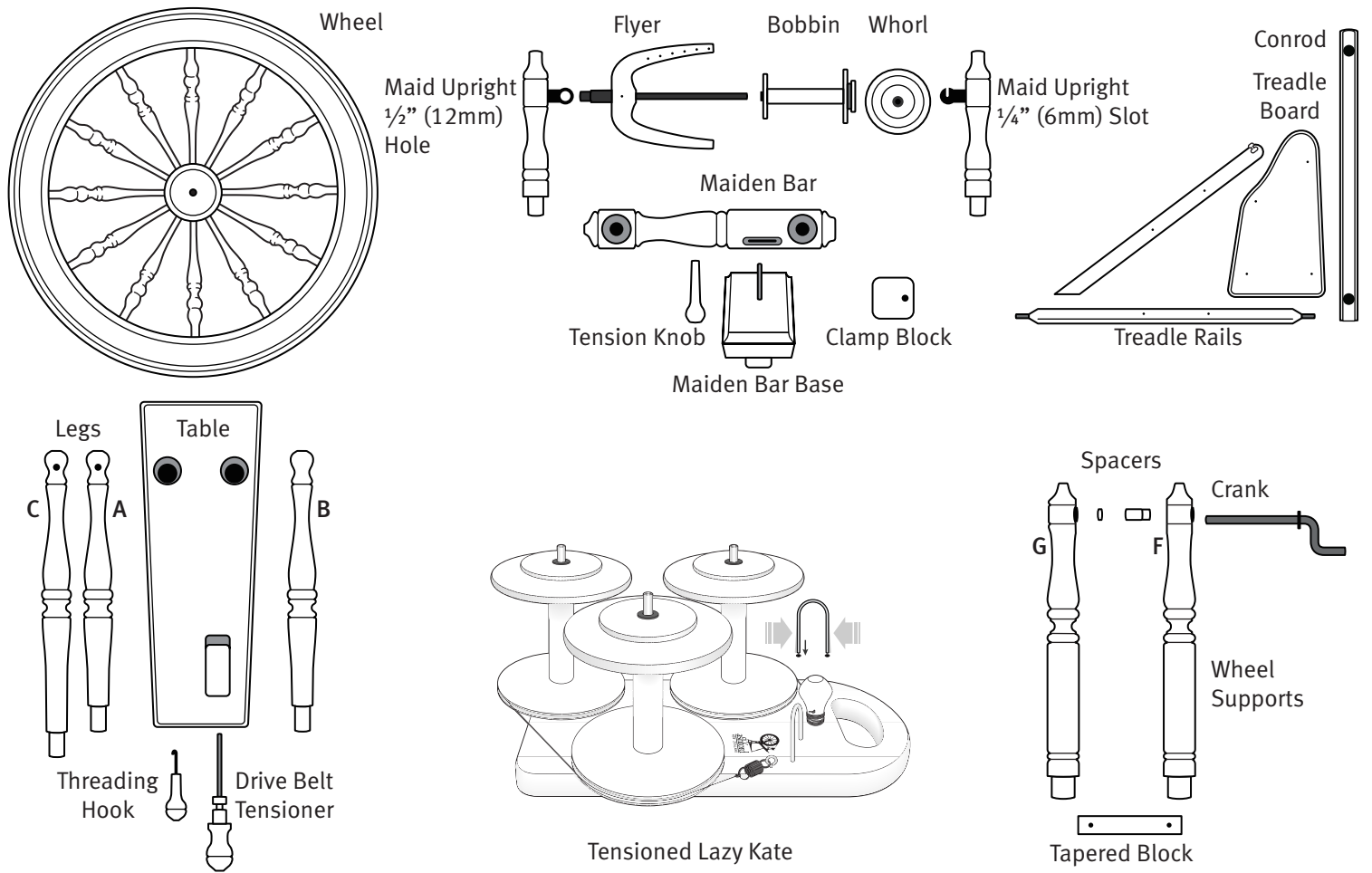
Short Crank Spacer



Large Crank Spacer



Rubber Feet



STEP 1

Join the two treadle rails with a 38mm (1½") countersunk screw. Secure the treadle board to the treadle rails with four 32mm (1¼") countersunk screws.

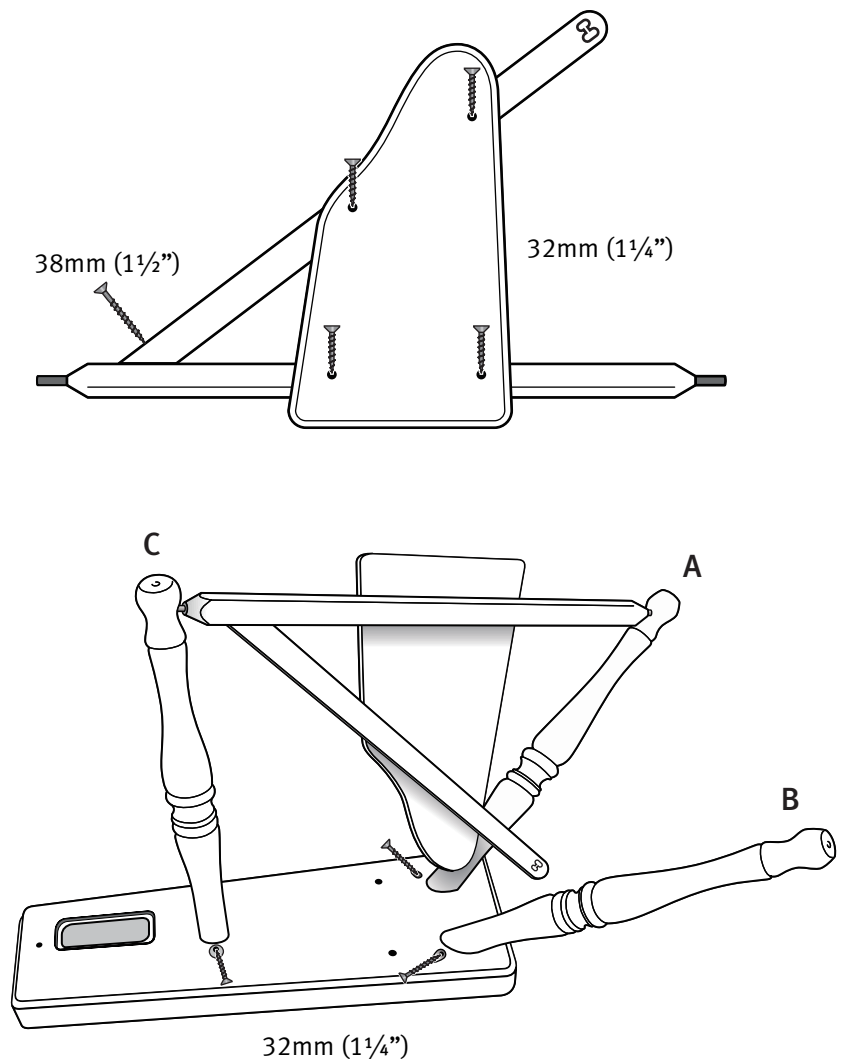
STEP 2

Lie the table face down on a flat clean surface. Place a towel under the table to protect it from damage. Wax the dowel ends of the legs so they can be twisted. Note the position of the holes for the treadle pins.

Insert the short leg **A** with the hole for a treadle pin into the hole in the table as illustrated. Partially insert long leg **C** also with a hole for a treadle pin into the table. Insert the pins in the end of the treadle rail into the holes in the short leg **A** and long leg **C**. Twist the legs until the treadle assembly moves freely. Then tap both legs fully into the base.

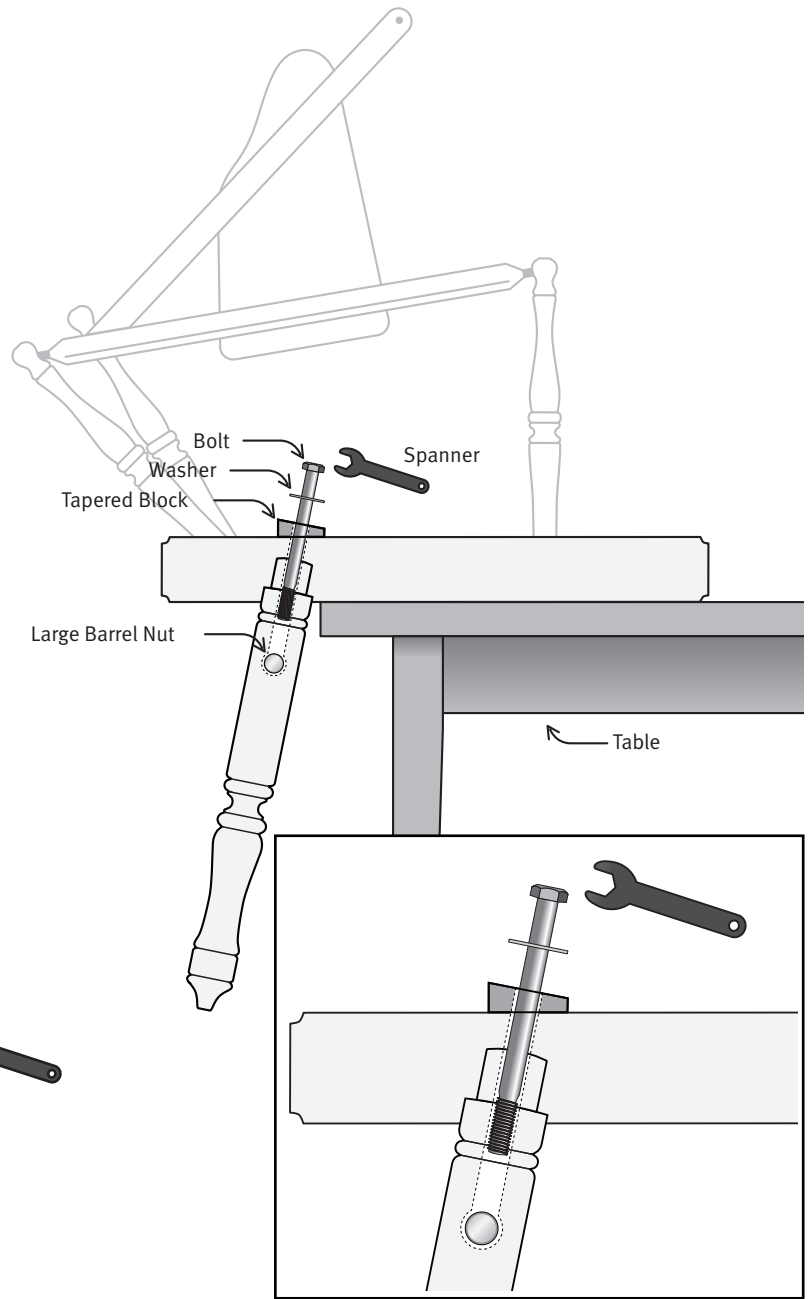
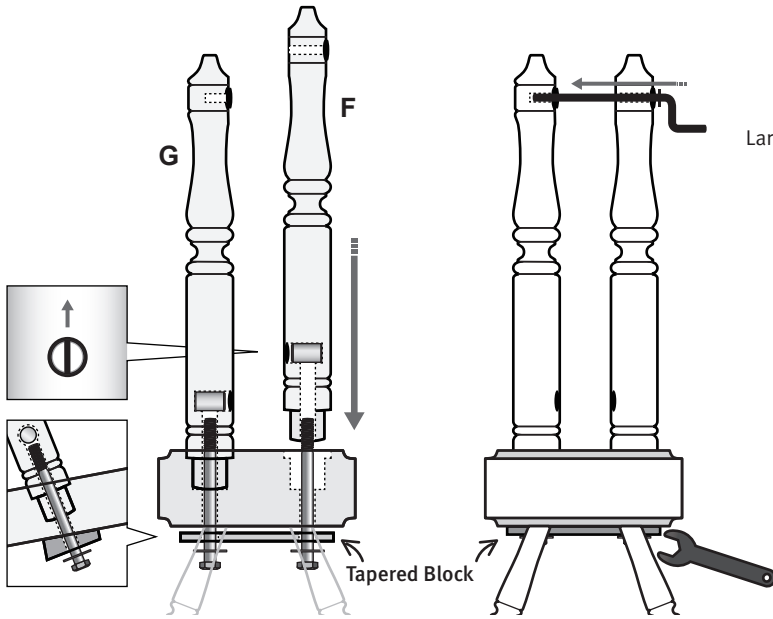
STEP 3

Insert the other short leg **B** into the table and tap all legs home. Secure all legs with 32mm (1¼") screws.



STEP 4

Sit the table on its legs. Insert the wheel support **G** into the hole in the table on the side closest to the spinner. Note the ball bearing is to the inside. Position a large barrel nut into the hole in wheel support **G**. Note the slot in the nut is in line with the hole. Place a 19mm ($\frac{3}{4}$ ") washer onto a 100mm (4") bolt and insert the bolt through the tapered block, table, support **G** and into the barrel nut as illustrated. Repeat with wheel support **F**. Note the bearing faces out.

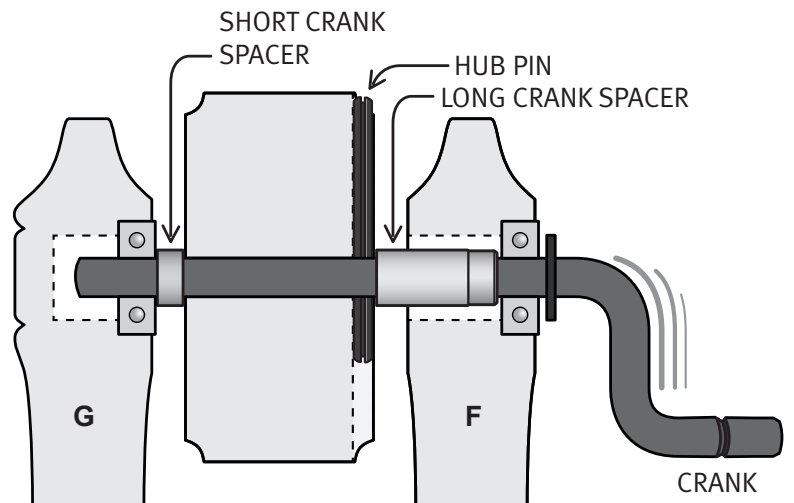


STEP 5

Push the crank through both ball bearings and check it turns freely. Tighten the bolts with the spanner provided. If the bearings are correctly aligned the crank will rotate freely.

STEP 6

Insert the crank through the bearing in wheel support **F**. Slide the long crank spacer onto the crank as shown. Rub a little candle wax onto the crank. Then place the wheel into position with the groove for the hub pin away from the spinner and push the crank through the hub. Turning the wheel as you push will make this easier. Stop when the crank protrudes about 3mm ($\frac{1}{8}$ ") through the hub. Then slide the short crank spacer onto the crank. It is easier if you hold the spacer with a pair of fine pliers or scissors. Then push the crank through the hub and into the ball bearing until the hole for the hub pin aligns with the slot in the hub.

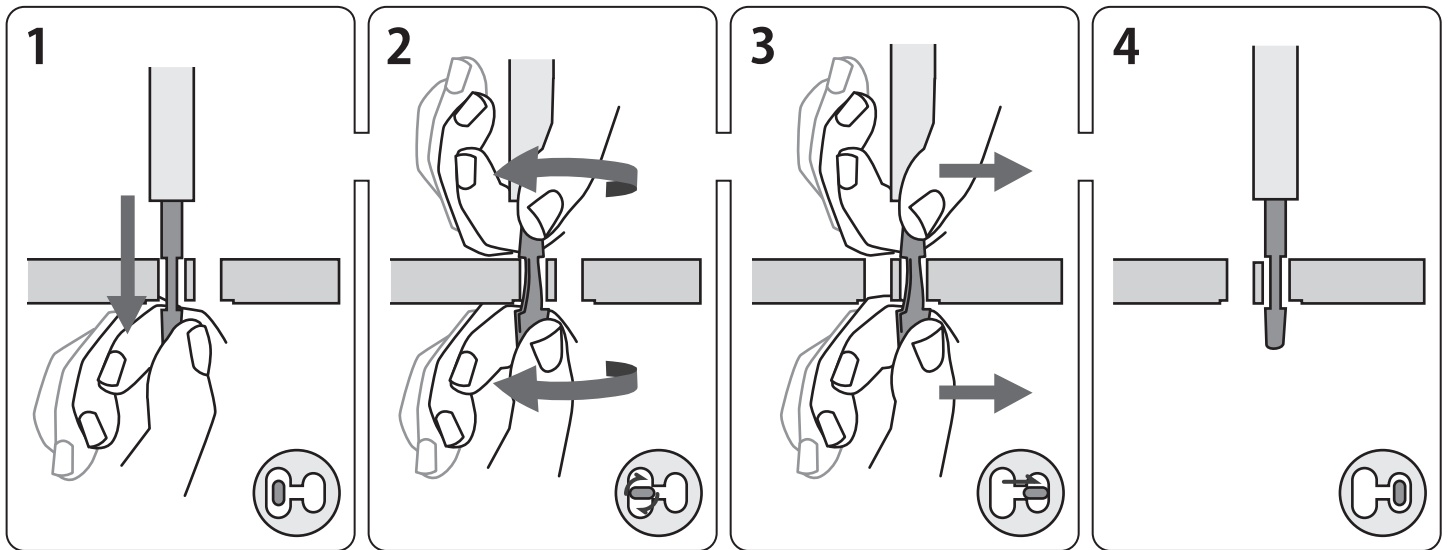


STEP 7

Once the hole in the crank aligns with the slot in the hub, carefully tap the 62mm (2½") hub pin through the hub and hole in the crank.

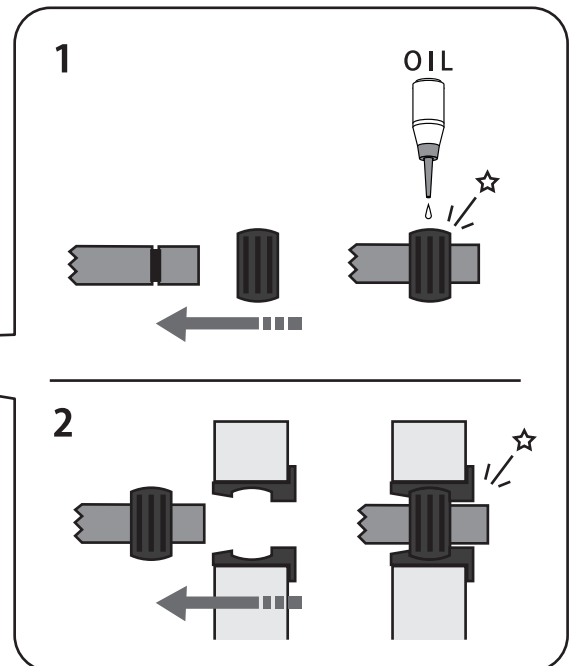
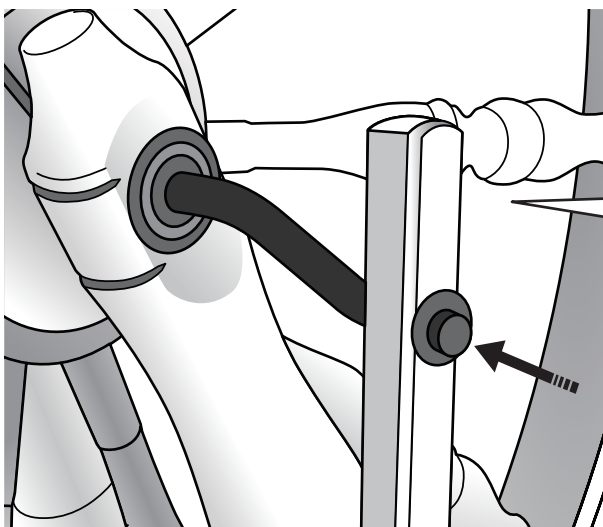
STEP 8

Set the treadle assembly on the edge of a table. Insert the conrod joint into the large slot in the treadle rail. Note the crank bearing faces the back of the spinning wheel. Hold the conrod joint with one hand on either side of the treadle rail. With both hands, turn the conrod joint a $\frac{1}{4}$ turn, stretch and slide it into the small slot and turn it back a $\frac{1}{4}$ turn until it clicks into place.



STEP 9

Slide the inner shell of the conrod universal joint onto the crank until it clicks into the groove. Then snap the conrod onto the universal joint on the crank.



STEP 10

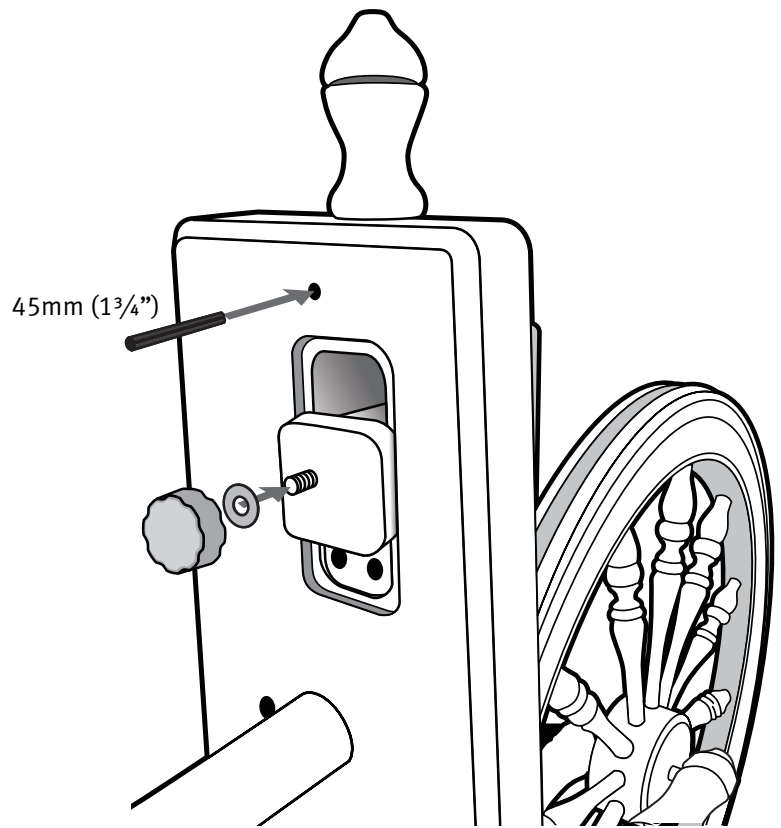
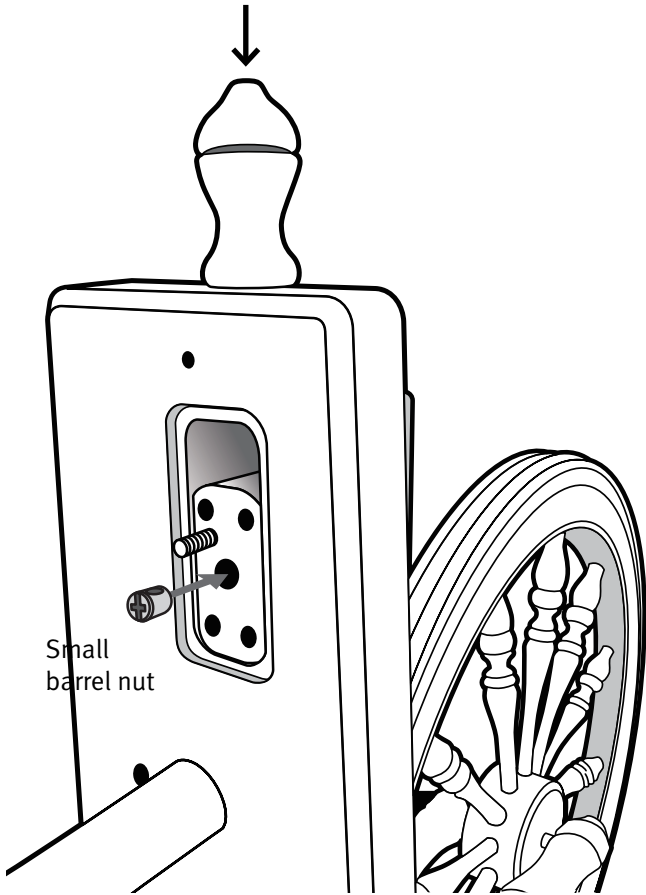
Sit the spinning wheel onto its front legs and wheel. Place the maiden bar base into the slot in the table. Slide the small barrel nut into the hole in the lower block, then thread the drive belt tensioner into the barrel nut.

STEP 11

Place the wooden clamp block onto the bolt in the base of the maiden bar and secure with a 16mm ($\frac{5}{8}$ ") washer and nylon knob. Before adjusting the drive belt tension, loosen the nylon knob, adjust the belt tension, then retighten to hold the maiden bar firm.

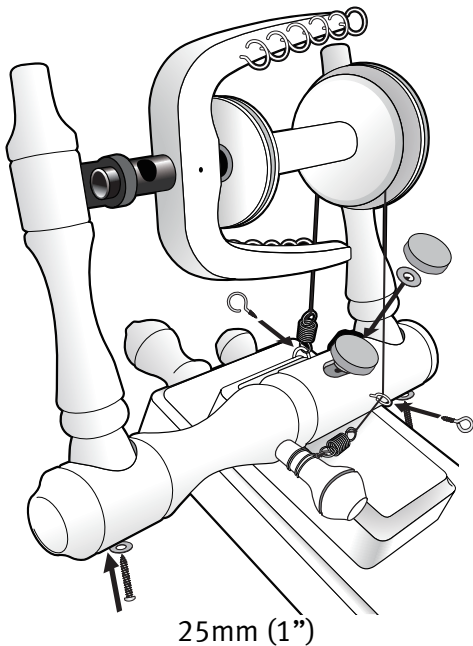
STEP 12

Wax the 45mm ($1\frac{3}{4}$ ") tension pin and softly tap it into the hole in the underside of the table to lock the drive belt tensioner in position. Important - leave 12mm ($\frac{1}{2}$ ") protruding so it can be removed if necessary.



STEP 13

Wax the dowel ends of the two maid uprights and push into the holes in the maiden bar. Note the upright with the 12mm ($\frac{1}{2}$ ") hole is closest to the spinner and the upright with the 6mm ($\frac{1}{4}$ ") slot is on the opposite side. Check the bearings are at 90 degrees to the maiden bar and secure with 25mm (1") pan head screws and small washer. Do not over tighten as you may need to twist them later.



STEP 14

Thread a flyer hook into the pilot hole in the back and screw eye into the pilot holes in the front of the maiden bar.

STEP 15

Position the maiden bar onto the maiden bar base and secure with a 16mm ($\frac{5}{8}$ ") washer and wooden knob.

STEP 16

Thread the flyer hooks into the pilot holes in the flyer.

STEP 17

Apply a drop of oil to the flyer spindle and slide a bobbin on. Note the flat surface on the end of the spindle. Place the flyer whorl onto the end of the spindle and rotate it until it pushes on easily. A drop of Vaseline on this joint will make it easier to change bobbins.

STEP 18

Place the flyer and bobbin into the bearings in the maid uprights. Loosen the clamp block and unwind the belt tensioner to the end of its travel so the maiden bar is closest to the wheel.

STEP 19

Now choose to either set your wheel for Double Drive or Single Drive.



Flat Knot

A. Double Drive:

Place the drive belt over the wheel and wrap it in one continuous band around the small bobbin whorl, over the wheel again, around the large flyer whorl and tie the 2 ends with a flat knot. Tighten the belt tensioner until both flyer and bobbin rotate and then tighten the clamp block. Check the alignment of the drive belt with the wheel and flyer and bobbin whorls. If necessary loosen the knob, move the maiden bar horizontally until aligned and then retighten.

B. Single Drive / Scotch Tension:

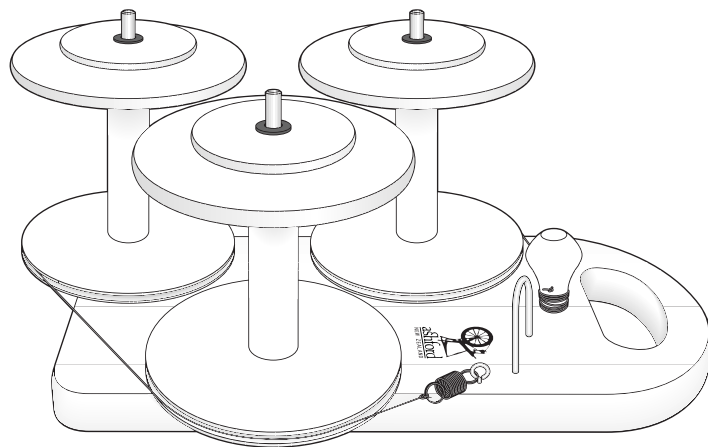
Place both ends of the drive belt onto the large flyer whorl. Push the tension knob into the tapered hole in the maiden bar. Tie a spring to one end of the nylon brake band and hook it over the cup hook. Position the brake band over the bobbin whorl, through the screw eye and cut it where it touches the tension knob. Tie both ends of the nylon brake band to the second spring half way between the screw eye and tension knob, thread the brake band through the hole in the tension knob and tie a knot. Trim off any surplus. When spinning with double drive remove the brake band and wrap it around the tension knob.

STEP 20

Place the threading hook into the hole in the end of the table.

STEP 21

Assemble the Tensioned Lazy Kate.



- Attach the 4 rubber feet with small screws.
- Insert the 3 steel rods into the holes in the base.
- Thread the screw eye with the tension spring attached into the pilot hole in the base.
- Squeeze the steel yarn guide and insert it into the 2 holes.
- Tie one end of the nylon brake band to the tension spring.
- Thread the other end through the hole in the tension knob and tie a knot. Then insert the tension knob into the hole in the base.

STEP 22

Your Ashford Elizabeth 2 Spinning Wheel is now ready to use. Refer to the "Learn to Spin Booklet" for detailed spinning instructions. For silent efficient spinning, regularly lubricate the flyer, bobbin, conrod and treadle bearings with Ashford Spinning Wheel Oil. The wheel is supported on sealed for life ball bearings and does not need oiling.

